

SWIMMING POOL REMODELING ASSESSMENT WORKSHEET



Earth Dynamics Pools & Spas Inc.

www.epoolsapes.com

LICENSES & CERTIFICATIONS



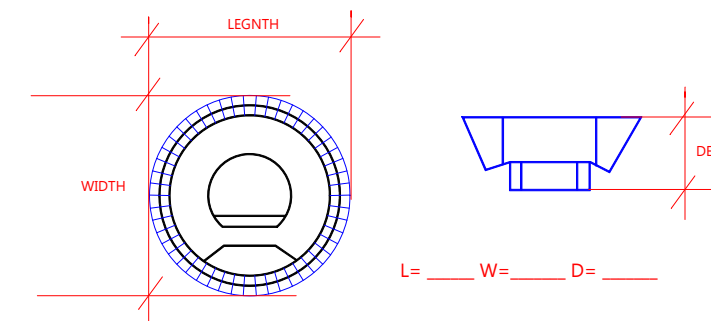
RETURN #1: _____
 RETURN #2: _____
 POOL CLEANER: _____"
 SPA RETURN: _____"

RETURN LINE FITTINGS



QTY: _____
 YES: NO:
 MFG: _____ TYPE: _____
 MODEL #: _____

SPA OPTION



PLUMBING SIZING



SKIMMER #1: _____"
 SKIMMER #2: _____"
 MAIN DRAIN #1: _____"
 MAIN DRAIN #2: _____"
 SPA SUCTION: _____"
 OTHER: _____"

SURFACE SKIMMER



CONCRETE FLATWORK



CONDITION:
 GOOD:
 FAIR:
 BAD:

STEEL REINFORCEMENT



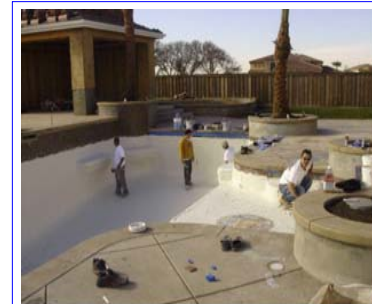
CONDITION:
 GOOD:
 FAIR:
 BAD:

GUNITE APPLICATION



CONDITION:
 GOOD:
 FAIR:
 BAD:

PLASTER APPLICATIONS

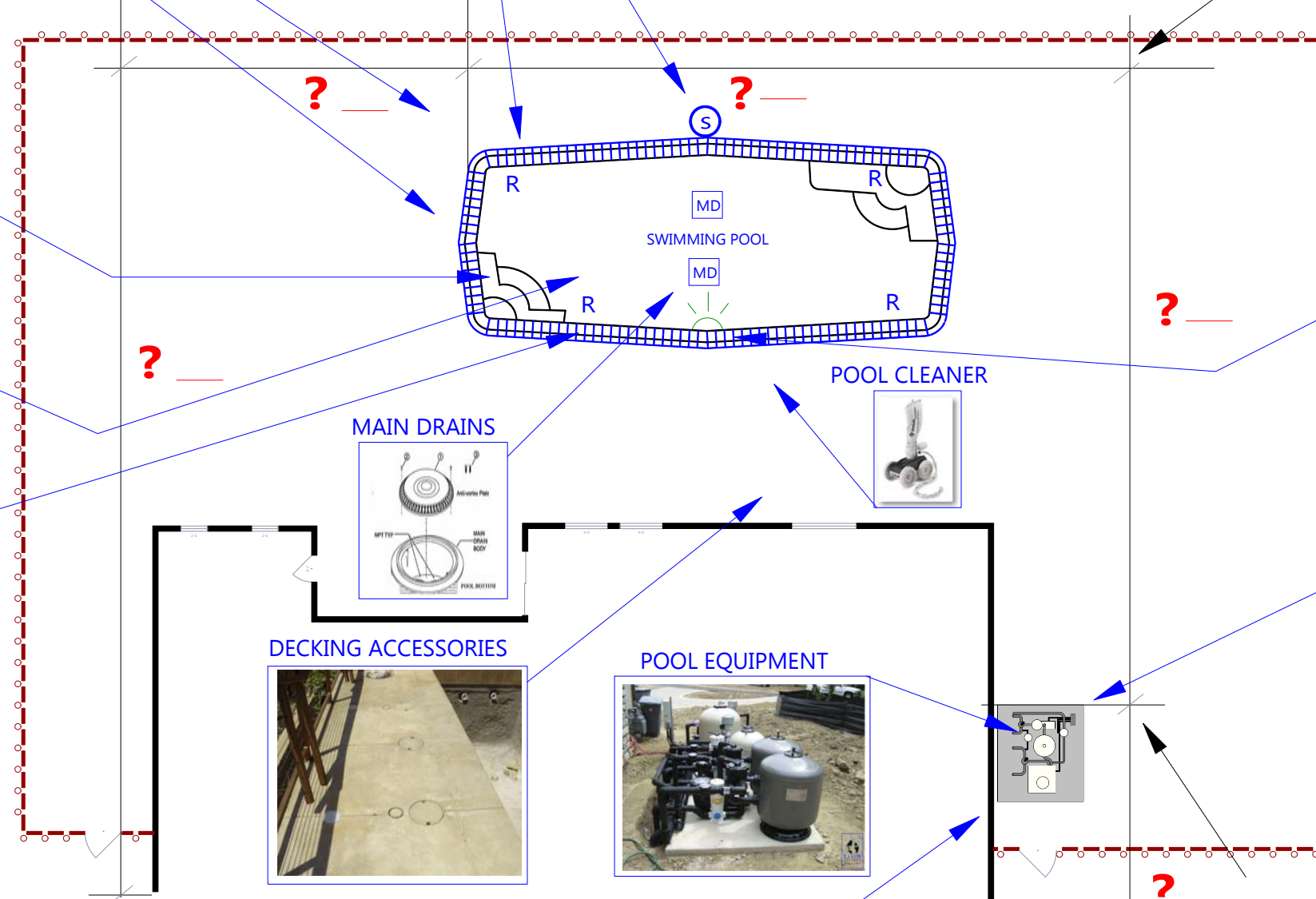


CONDITION:
 GOOD:
 FAIR:
 BAD:

TILE INSTALLATION



CONDITION:
 GOOD:
 FAIR:
 BAD:



DISTANCE BETWEEN POOL & EQUIPMENT

QTY: _____
 YES: NO:
 MFG: _____ TYPE: _____
 MODEL #: _____

POOL LIGHTING



FENCING & GATES



YES: NO:
 MFG: _____ TYPE: _____
 MODEL #: _____

EQUIPMENT

POOL FILTER



HEATER



POOL PUMP



QTY: _____
 YES: NO:
 MFG: _____ TYPE: _____
 MODEL #: _____

QTY: _____
 YES: NO:
 MFG: _____ TYPE: _____
 MODEL #: _____

QTY: _____
 YES: NO:
 MFG: _____ TYPE: _____
 MODEL #: _____

WATER CONNECTION

MAIN RESIDENCE

DISTANCE OF UTILITIES RUN

BACKFLW PREVENTION

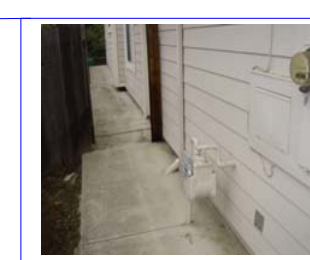


YES: NO:
 MFG: _____ TYPE: _____
 MODEL #: _____

CONTROL SYSTEM



UTILITIES CONNECTIONS



GAS METER SIZE: _____
 ELECTRIC METER SIZE: _____

PROJECT NAME:
ADDRESS:
CITY:
STATE:
ZIP CODE:
TELEPHONE:
EMAIL:
APN:

